

## New: mobile, wireless temperature measurement

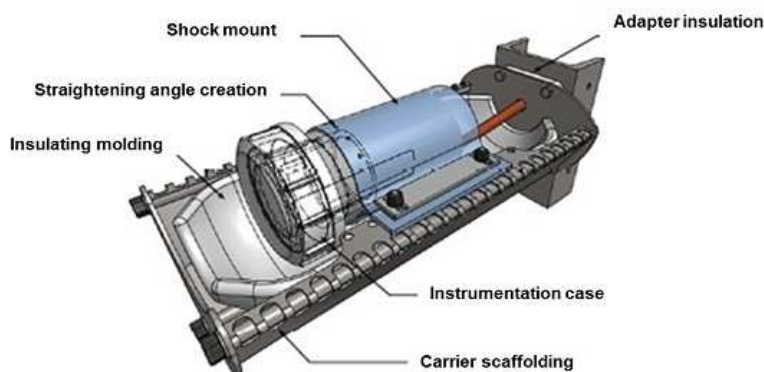
### Multifunctional – Modular – Mobile – Wireless – Extremely Robust

A new method for mobile temperature measurement now has been developed by the fiwa)group. This offers various possibilities to increase efficiency and quality.

#### PRE-TEMP (T151)®

##### Areas of operation:

- Plants with surrounding temperatures **up to 580°C**
- **Rotary furnaces, melting furnaces, transport crucible, fork lift and ladle**
- Constructions, where there is **no** ideal wireless alignment given (+/- 30° transmission frequency optimizing)
- Plants with much metallic environment, even with intensive building constructions



- Surrounding of liquid metals
  - **2x mobile temperatur measurement possible**
  - **1x identifikation / marking**
  - Usable in extremely rugged an rough surrounding
  - Resistant to liquid metal
  - Outdoor/ Weatherproof
- Protection against mechanical damage
  - Usable for different applications by individual mechanical contructions
  - Extendible on 2nd temperatur measuring, identification and lower boby protection
  - Shock and vibration damped mounting of the measuring body
  - No power and signal cabling
  - Secure transmission of values to arbitrary locations, interrogation or recording at any time
  - Up to 16 measuring points per receiver
  - Automatic identification of the measuring points, automatic status message
  - Ergonomic transition thru quick-release-system
  - Durable battery supply (about 1.5 years)
  - Easy maintenance and servicing

# PRE-TEMP (T151-T161)®

## Alternative: PRE-TEMP (T161)®

The universally useful sensors, respectively, head transmitters, on moveable and fixed locations and plants, open up fully new possibilities at the measure data registration.

Plants with surrounding temperature **up to 200°C**



**Receiver unit**

### radio – head transmitter

The head transmitter bound for industrial scope of applications, consists of a measurement converter with integrated transmitting units. The installation in customer specific connection heads is possible. Connections for resistance thermometer, thermo elements and potentiometers are possible.

The received measures will be transformed here, indicated and are able to function as a digital interface RS485.

### radio – resistance thermometer

The head transmitter bound for industrial scope of applications, consists of a electronic assembly with integrated transmitter-unit. Various designs are available completely with Pt1000 temperature sensor (installation length 1000mm) or with a machine plug.

## Block- functional diagram

